

# LOW SMD V1 – ASSEMBLY GUIDE

This document will help you to build your module without any trouble! We will give you the order in which the components should be placed on the boards to make your life easier during assembly.

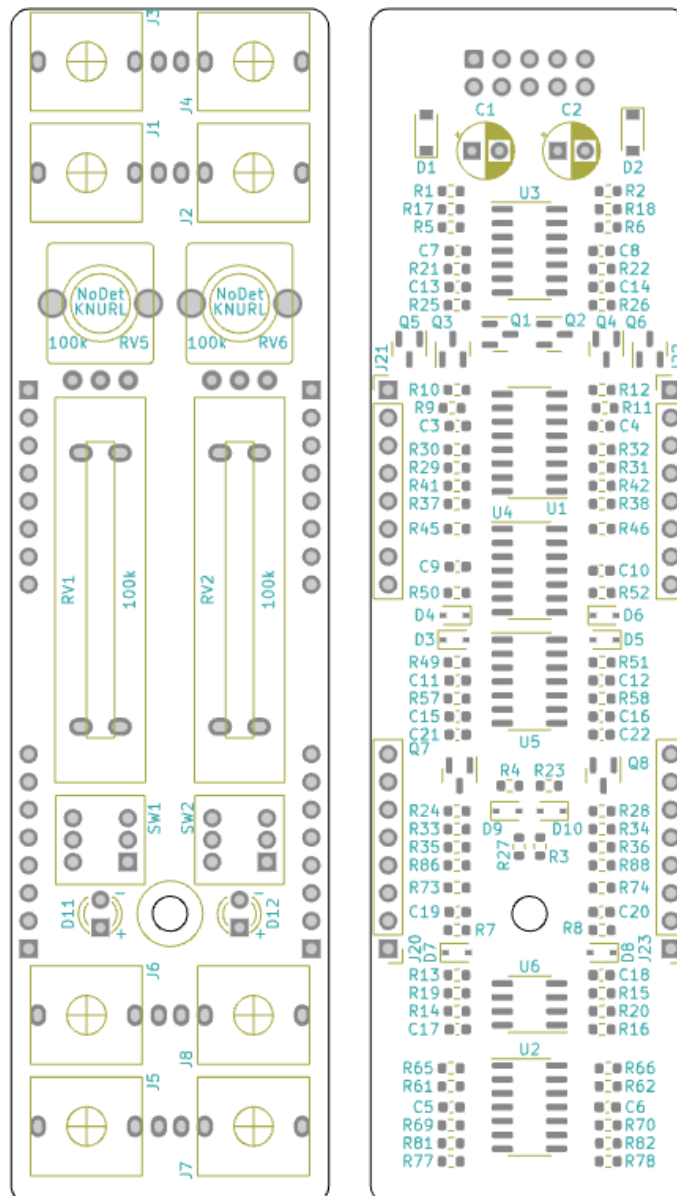
If you want more information about how to build Eurorack modules and what tools you should have, go check our DIY electronics advice on our website: [somethingmodular.fr](http://somethingmodular.fr)

We also made an **online interactive BOM** so you can check components placement.

And again:

**THANKS YOU FOR CHOOSING OUR KIT!! YOU'RE AWESOME!!**

Now let's build this module, your module!



## LOW SMD V1 – ASSEMBLY GUIDE

---

Let's start by working on board B :

### ELECTROLYTIC CAPACITORS

Electrolytic Capacitors are **Polarized!**

Mind the polarity : the long leg is the positive lead, negative lead is denoted by a white line.

Qty	Value	Package	Voltage	Reference designator
2	10 $\mu$ F	D5.0 * P2.0	$\geq$ 25 V	C1, C2

### POWER CONNECTOR

This component should be soldered on the back of the PCB. Mind pin 1.

Congratulation, You have just completed the first part of the job, now put Board B aside and let's work on Board A :

#### READ THIS BEFORE SOLDERING POTS, JACKS, SWITCH AND LEDS:

Install potentiometers, mini-jacks, switches and LEDs onto board A without soldering. Now place the front panel, secure few components (top and bottom jacks for example). Place the LEDs through the holes in the Front Panel. Check for any mechanical stress on components, PCB or panel. If there is none then you can solder.

Remember to do this little routine every time you put front panel components, soldering without putting the front panel components first you risk to have hard time to align the components to the panel holes.

### 3.5mm JACK SOCKETS

Qty	Value	Reference designator
8	PJ301M-12	J1, J2, J3, J4, J5, J6, J7, J8

### POTENTIOMETERS – 9mm Song Huei

Qty	Value	Reference designator
2	100k linear	RV5, RV6

### POTENTIOMETERS – Alpha 20mm Fader

Qty	Value	Reference designator
2	100k linear	RV1, RV2

## LOW SMD V1 – ASSEMBLY GUIDE

### TACTILE SWITCH - LATCHING

Qty	Package	Reference designator
2	DPDT 7x7	SW1, SW2

### LEDS 3mm

Qty	Value	Reference designator
2	Bi-color, 2 Pins	D11, D12

After soldering, you can now take off the front panel, put it aside.

### FEMALE AND MALE PIN HEADERS

Place the female pin headers on the front side of board B, place the male pin headers on the back of board A. Put them inside each other.

**Secure** the spacer between board A and B.

**Solder** both female and male pin headers.

Qty	Value	Reference designator
4	1x08 Female Pin Header	J20, J21, J22, J23
4	1x08 Male Pin Header	J10, J11, J12, J13

Put back the panel as you did before. Now you can secure all jacks and pots nuts. Once you are done. Put the switches cap on.

**CONGRATULATION, you've just finished building your new module !**

#### FIRST POWER UP TEST :

**Before powering up your module**, use a multimeter to check that there is no short between +12V, -12V and Ground rails.

Now you can power up your module: Connect the power ribbon cable (the red wire on the power ribbon cable corresponds to -12V) and **Enjoy!**

**YOU'RE READY TO ROLL ! ENJOY YOUR NEW MODULE !**